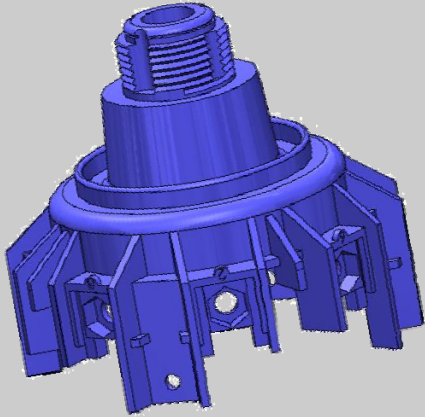


# SolidWorks Essentials: Parts and Assemblies 2010



## Prerequisites:

Mechanical design experience; experience with the Windows operating system.

## Logistics:

**Length:** 4 days  
**Time:** 9:00 am—5:00 pm  
**Price:** \$1,495.00



Authorized  
Training,  
Testing &  
Support  
Center

## OVERVIEW

SolidWorks Essentials teaches you how to use the SolidWorks mechanical design automation software to build parametric models of parts and assemblies, and how to make drawings of those parts and assemblies.

## TOPICS COVERED

### Lesson 1:

#### Introduction to SolidWorks

Design Intent  
File References & Opening Files  
The SolidWorks User Interface

### Lesson 2:

#### Introduction to Sketching

2D Sketching  
Stages in the Process  
Sketch Entities & Relations  
Dimensions  
Sketch Fillets  
Extrude

### Lesson 3:

#### Basic Part Modeling

Using the best Profile & Plane  
Boss, Fillet & Cut Features  
Using the Hole Wizard  
Drawing Views

### Lesson 4:

#### Modeling a Casting or Forging

Boss Feature with Draft  
Keyboard Shortcuts  
Using Model Edges in a Sketch  
Editing Features

### Lesson 5:

#### Patterning

Reference Geometry  
Linear, Mirror & Circular Patterns  
Sketch Driven Patterns

### Lesson 6:

#### Revolved Features

Edit Material  
Mass & File Properties  
COSMOSXpress

### Lesson 7:

#### Shelling and Ribs

Analyzing and Adding Draft  
Shelling, Ribs & Thin Features

### Lesson 8:

#### Editing, Repairs

Part Editing  
FilletXpert & DraftXpert

### Lesson 9:

#### Editing, Design Changes

Design Changes  
Rebuilding Tools  
Sketch Contours

### Lesson 10:

#### Configurations of Parts

Creating & Modifying Configurations  
Design Library

### Lesson 11:

#### Design Tables and Equations

Link Values & Equations  
Design Tables

### Lesson 12:

#### Bottom-Up Assembly Modeling

Position of the First Component  
Using Part Configurations in Assemblies  
Component Hiding and Transparency

### Lesson 13:

#### Using Assemblies

Analyzing the Assembly  
Exploded Assemblies

### Lesson 14:

#### Using DimXpert and TolAnalyst

Tolerance Types and Features  
DimXpert Annotations & Drawings  
TolAnalyst

**address** 7508 Highway 107  
Sherwood, AR 72120  
**main** (501) 835-6868  
**fax** (501) 835-8710  
**email** training@secanttech.com

